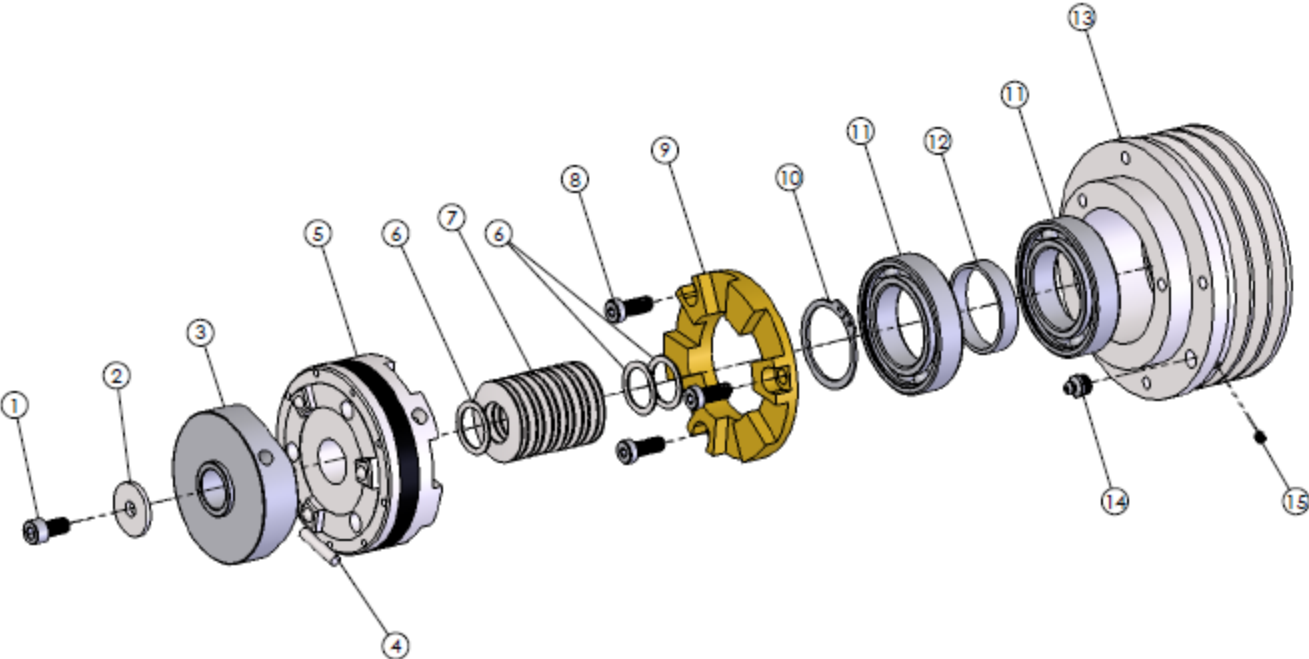


Rev Tech LC - Aftermarket Parts for 3.5 GS Coupling



Item #	Part #	Description	Qty
1	231100	SHCS 8m-1.25 x 16	1
2	231400	Washer	1
3	231600	Driver	1
4	231300	Pin	1
5	231500	Clutch	1
6	230900	Washer	3
7	231200	Disk Spring	14
8	230800	LHSHCS 8m-1.25 x 11	3
9	231000	Bronze Holder	1
10	230600	Snap Ring 3100-181	1
11	230400	Bearing 6009	2
12	230500	Spacer	1
13	230100	Bearing Holder w/Belt Pulley	1
14	230300	Grease Zerk	1
15	230200	Set Screw 5mm	1

\* Rev Tech LC is an independent centrifuge gearbox part supplier for various OEM companies and is not affiliated with these OEM companies.