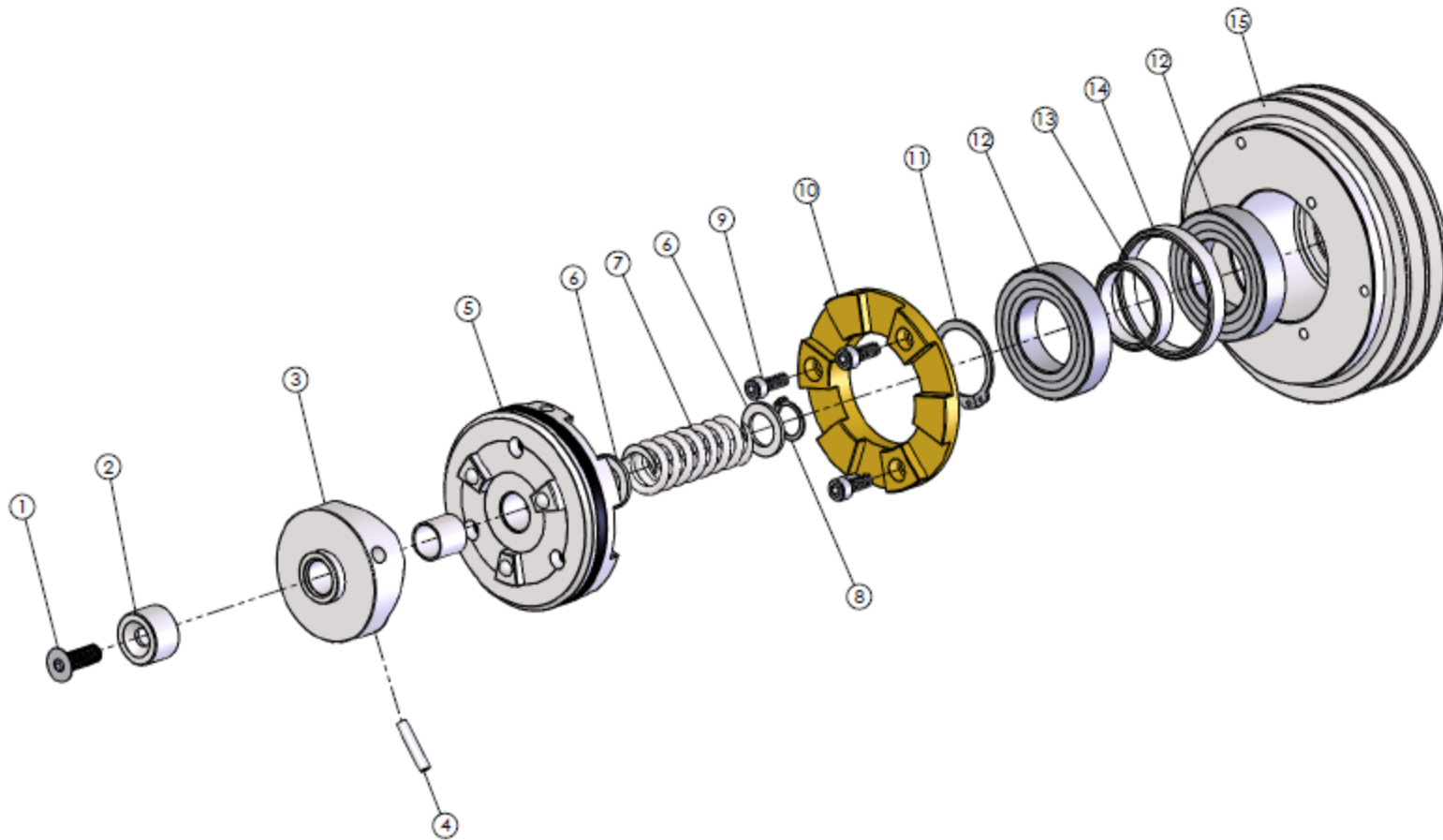


# Rev Tech LC - Aftermarket Parts for 2.5 GS Coupling



Item #	Part #	Description	Qty
1	241100	FHSHCS M8-1.25 X 25	1
2	241400	Washer Cap	1
3	241600	Driver	1
4	241300	Pin 5 X 25	1
5	241500	Clutch	1
6	240900	Washer	2
7	241200	Spring	1
8	240600	Snap Ring	1
9	240800	SHCS M6 -1.0 X 16	3
10	241000	Bronze Holder	1
11	241100	Snap Ring	1
12	240200	Bearing 6007	2
13	240500	Inner Bearing Spacer	1
14	240501	Outer Bearing Spacer	1
15	240100	Bearing Holder	1

\* Rev Tech LC is an independent centrifuge gearbox part supplier for various OEM companies and is not affiliated with these OEM companies.