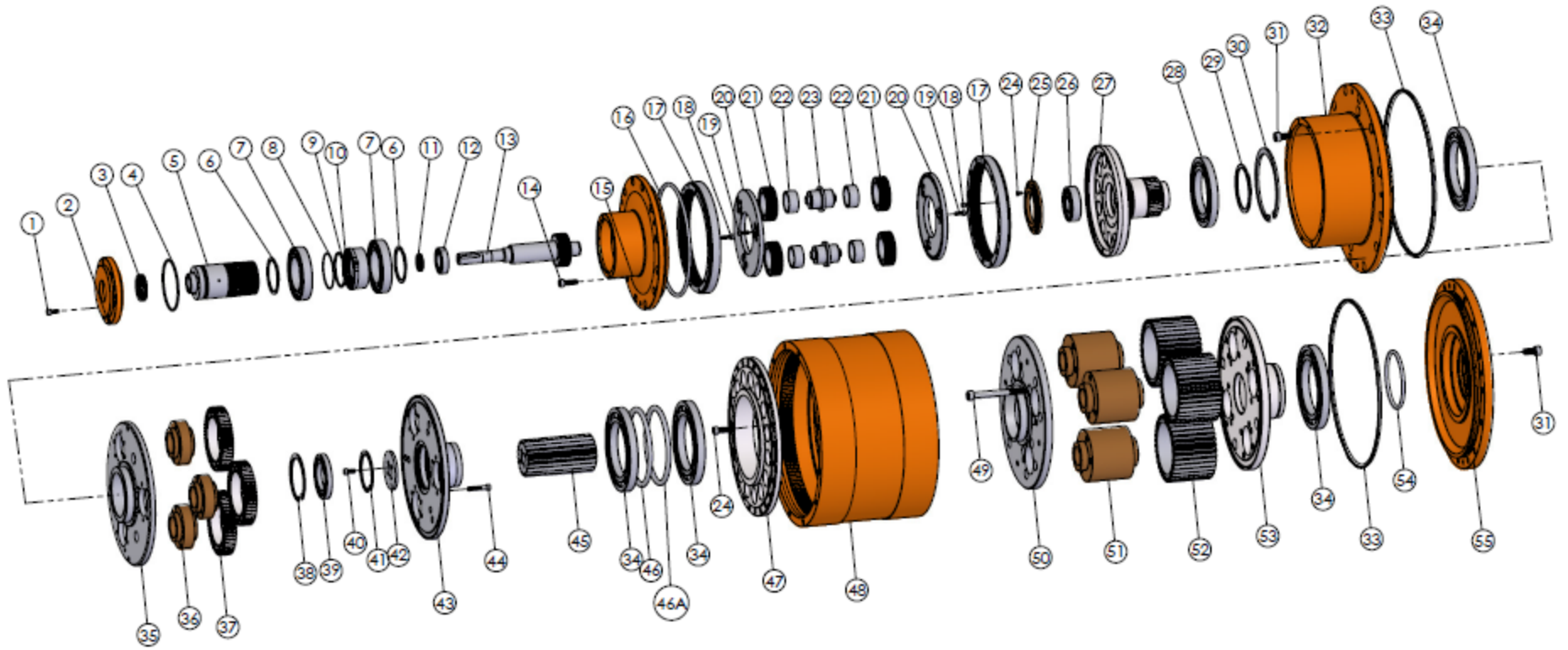


* Rev Tech LC is an independent centrifuge gearbox part supplier for various OEM companies and is not affiliated with these OEM companies.



Item#	Part #	Description	Qty	Item#	Part #	Description	Qty
1	370100	SHCS M6-12.9 X 14	6	29	373200	Snap Ring 75 X 2.5	1
2	380200	Seal Cap	1	30	373300	Snap Ring 115 X 4	1
3	380400	Oil Seal	1	31	372800	SHCS M12-12.9 X 25	28
4	380300	O'Ring 3 X 94.5	1	32	372900	Cover 1ST Stage DD	1
5	371000	Pinion Sleeve Hollow 44T	1	33	373000	O'Ring 5.7 X 359.3	2
6	370500	Snap Ring 64 X 2	1	34	373400	Bearing 16024	4
7	370600	Bearing 6013 C3	2	35	373500	3RD Stage Outer Plate	1
8	370700	O'Ring 1.78 X 69.57	1	36	373700	3RD Stage Bronze Bearing	3
9	370800	O'Ring 3 X 666	1	37	373600	3RD Stage Planet Gear	3
10	370900	Spacer w/Oil Scoop	1	38	373800	Snap Ring 90 X 3	1
11	371100	Oil Seal 25 X 35 X 6	1	39	373900	Bearing 16011	1
12	371200	Bearing NU205	1	40	374100	SHCS M6-12.9 X 12	4
13	371300	Pinion Shaft	1	41	374000	Snap Ring 85 X 3	1
14	371400	SHCS M8-8.8 X 20	24	42	374200	Flange	1
15	371500	Outside Cover	1	43	374300	3RD Stage Inner Plate	1
16	371600	O'Ring 5.7 X 239.3	1	44	374400	SHCS M8-12.9 X 45	18
17	371700	DD Ring Gear	2	45	374500	4TH Stage Pinion	1
18	371800	SHCS M6-12.9 X 30	24	46	374800	Disc Spring	2
19	371900	SHCS M6-12.9 X 12	16	46-A	374801	Spacer	2
20	372000	Gear Plate	2	47	374600	Center Plate	1
21	372100	DD Planet Gear	4	48	374700	Ring Gear	1
22	372200	Bearing K40 X 48 X 20	4	49	374900	SHCS M10-8.8 X 120	16
23	372300	DD Planet Pin	2	50	375000	4TH Stage outer Plate	1
24	372400	FHCS M4-10.9 X 8	6	51	375100	4TH Stage Bronze Bearing	3
25	372500	Bronze Thrust Ring	1	52	375200	4TH Stage Planet Gear	3
26	372600	Bearing 6305	1	53	375300	4TH Stage Inner Plate w/Spline	1
27	372700	3RD Stage Pinion Assembly	1	54	375400	O'Ring 5.7 X 119.3	1
28	373100	Bearing 16015	1	55	375500	Inside Cover	1
				56	375600	12.0 Clutch	1

* Rev Tech LC is an independent centrifuge gearbox part supplier for various OEM companies and is not affiliated with these OEM companies.