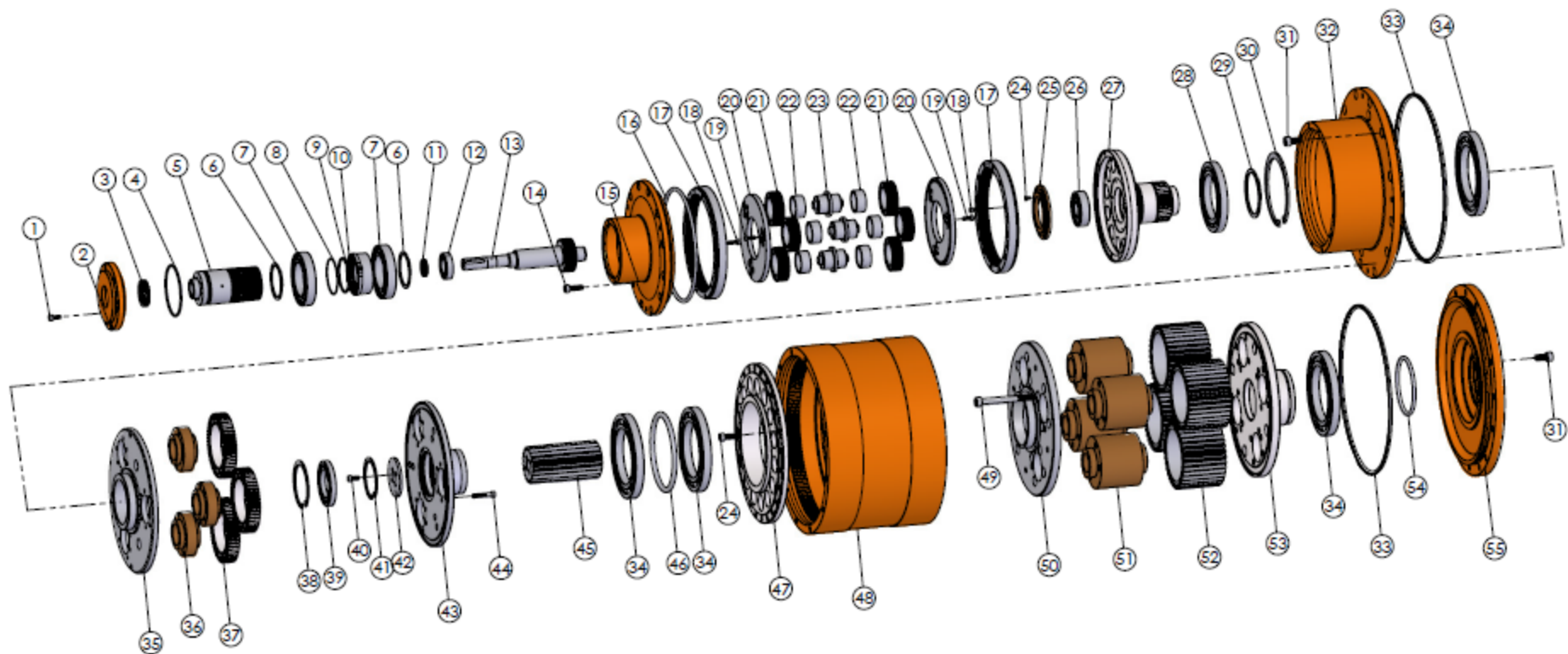


Rev Tech LC - Aftermarket Parts for 12.0 Gearbox



Item#	Part #	Description	Qty	Item#	Part #	Description	Qty
1	380100	SHCS M6 X 14 - 1.0	6	29	383200	Snap Ring 125 X 4.0	1
2	380200	Seal Cap	1	30	383300	Snap Ring 80 x 2.5	1
3	380400	Oil Seal	1	31	382800	SHCS M10 X 20 - 1.5	28
4	380300	O'Ring 3 X 90	1	32	382900	Cover 1ST Stage DD	1
5	381000	Pinion Sleeve Hollow 44T	1	33	383000	O'Ring 5.7 X 291	2
6	380500	Snap Ring 60 X 2	2	34	383400	Bearing 16020	4
7	380600	Bearing 6012 C3	2	35	383500	3RD Stage Outer Plate	1
8	380700	O'Ring 1.78 X 63.22	1	36	383700	3RD Stage Bronze Bearing	3
9	380800	O'Ring 3 X 61	1	37	383600	3RD Stage Planet Gear	3
10	380900	Spacer w/Oil Scoop	1	38	383800	Snap Ring 80 x 2.5	1
11	381100	Oil Seal	1	39	383900	Bearing 16010	1
12	381200	Bearing 6005	1	40	384100	SHCS M6 X 14 - 1.0	4
13	381300	Pinion Shaft 44T	1	41	384000	Snap Ring 72 X 2.5	1
14	381400	SHCS M8 X 25 - 1.25	24	42	384200	Flange	1
15	381500	Outside Cover	1	43	384300	3RD Stage Inner Plate	1
16	381600	O'Ring 5.7 X 194.3	1	44	384400	SHCS 6mm X 35mm	18
17	381700	DD Ring Gear	2	45	384500	4TH Stage Pinion	1
18	381800	SHCS M5 X 20 - 0.8	24	46	384800	O'Ring 8.4 X 135mm	1
19	381900	SHCS M5 X 14 - 0.8	24	47	384600	Center Plate	1
20	382000	Gear Plate	2	48	384700	Ring Gear	1
21	382100	DD Planet Gear	6	49	384900	SHCS M10 X 100 - 1.5	16
22	382200	Bearing 32 X 39 X 18	6	50	385000	4TH Stage outer Plate	1
23	382300	DD Planet Pin	3	51	385100	4TH Stage Bronze Bearing	4
24	382400	FHCS M4 X 8 - 0.7	6	52	385200	4TH Stage Planet Gear	4
25	382500	Bronze Thrust Ring	1	53	385300	4TH Stage Inner Plate w/Spline	1
26	382600	Bearing 6305	1	54	385400	O'Ring 5.7 X 99.3	1
27	382700	3RD Stage Pinion Assembly	1	55	385500	Inside Cover	1
28	383100	Bearing 16016	1	56	385600	12.0 Clutch	1

* Rev Tech LC is an independent centrifuge gearbox part supplier for various OEM companies and is not affiliated with these OEM companies.