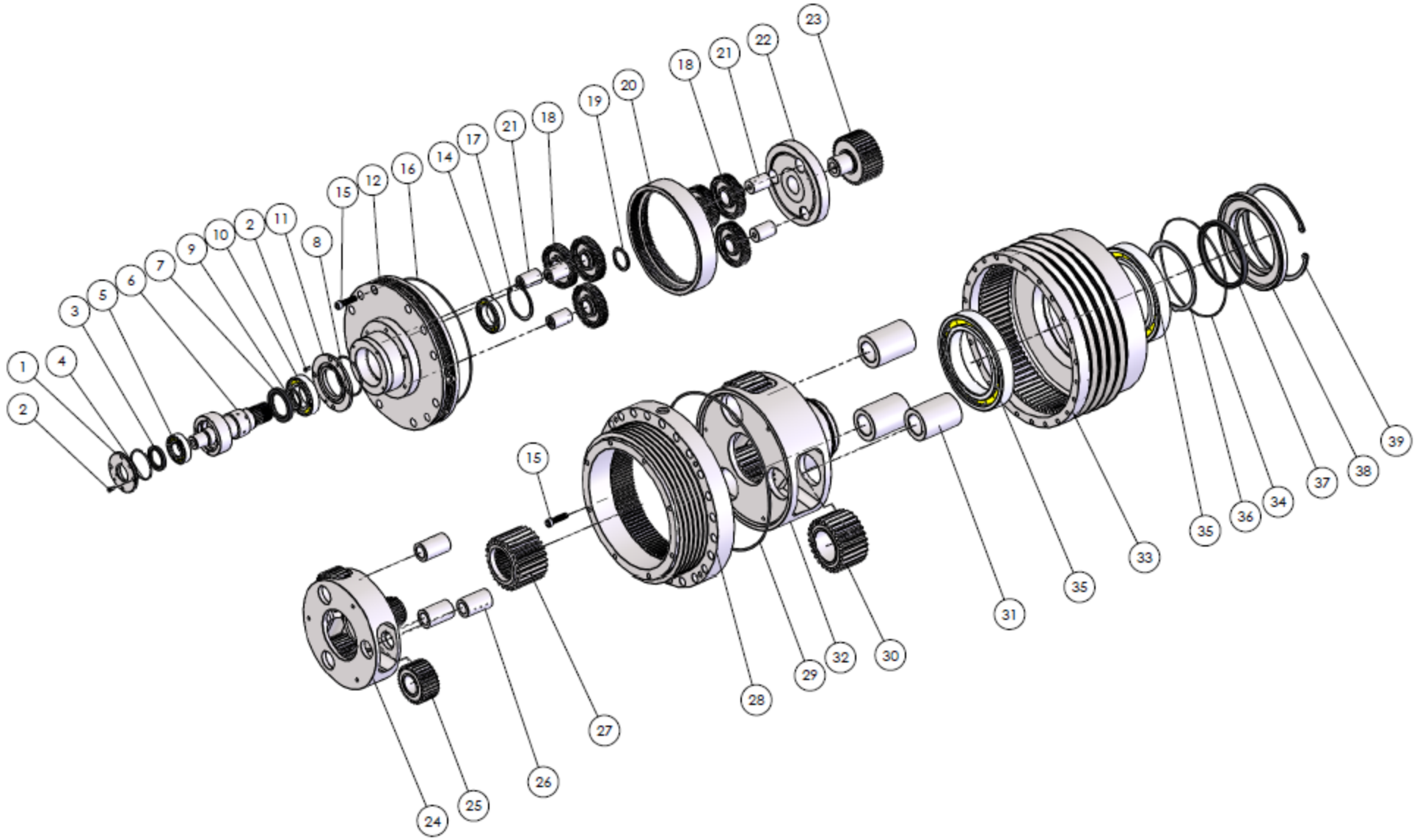


## Rev Tech LC - Aftermarket Parts for Flottweg Gearbox

\* Flottweg is a registered trademark of Flottweg Separation Technology, Inc. Rev Tech LC is an independent centrifuge gearbox part supplier for various OEM companies and is not affiliated with these OEM companies.



Item#	Part#	Description	Qty	Item#	Part #	Description	Qty
1	390100	Inner Pinion Seal Cap	1	20	392000	Double Drive Ring Gear	1
2	390200	SHCS M5-0.8 x 10	8	21	392100	DD Planet Pin	6
3	390300	35 x 52 x 6 Seal	1	22	392200	2nd Stage Housing	1
4	390400	H3 x 60 O'Ring	1	23	392300	3rd Stage Pinion	1
5	390500	NUP206E.TPV2	1	24	392400	3rd Stage Cage	1
6-A	390601	INNER DOUBLE DRIVE PINION GEAR	1	25	392500	3rd Stage Planet Gear	3
6-B	390602	DOUBLE DRIVE PINION GEAR	1	26	392600	3rd Stage Pin	3
7	390700	42 x 72 x 8 Seal	1	27	392700	4th Stage Planet Pinion	1
8	390800	H3 x 80 O'Ring	1	28	392800	3rd Stage Ring Gear	1
9	390900	Snap Ring	1	29	392900	O'Ring 4 x 340	1
10	391000	6209 Bearing	1	30	393000	4th Stage Planet Gear	3
11	391100	Outer Pinion Seal Cap	1	31	393100	4th Stage Planet Pin	3
12	391200	Housing Cover	1	32	393200	4th Stage Housing w/Spline	1
13	391300	Oil Plug	6	33	393300	4th Stage Ring Gear	1
14	391400	6009 Bearing	1	34	393400	O'Ring H3 x 210	1
15	391500	SHCS M10-1.5 x 40	36	35	393500	Bearing 6028	2
16	391600	O'Ring H3 x 272	1	36	393600	Snap Ring WST-550	1
17	391700	Snap Ring HO-281	1	37	393700	Packing Ring 125 x 145 x 12	1
18	391800	Double Drive Planet Gear	6	38	393800	Cover	1
19	391900	Distance Ring	1	39	393900	Snap Ring HO-800	1

\* Flottweg is a registered trademark of Flottweg Separation Technology, Inc. Rev Tech LC is an independent centrifuge gearbox part supplier for various OEM companies and is not affiliated with these OEM companies.